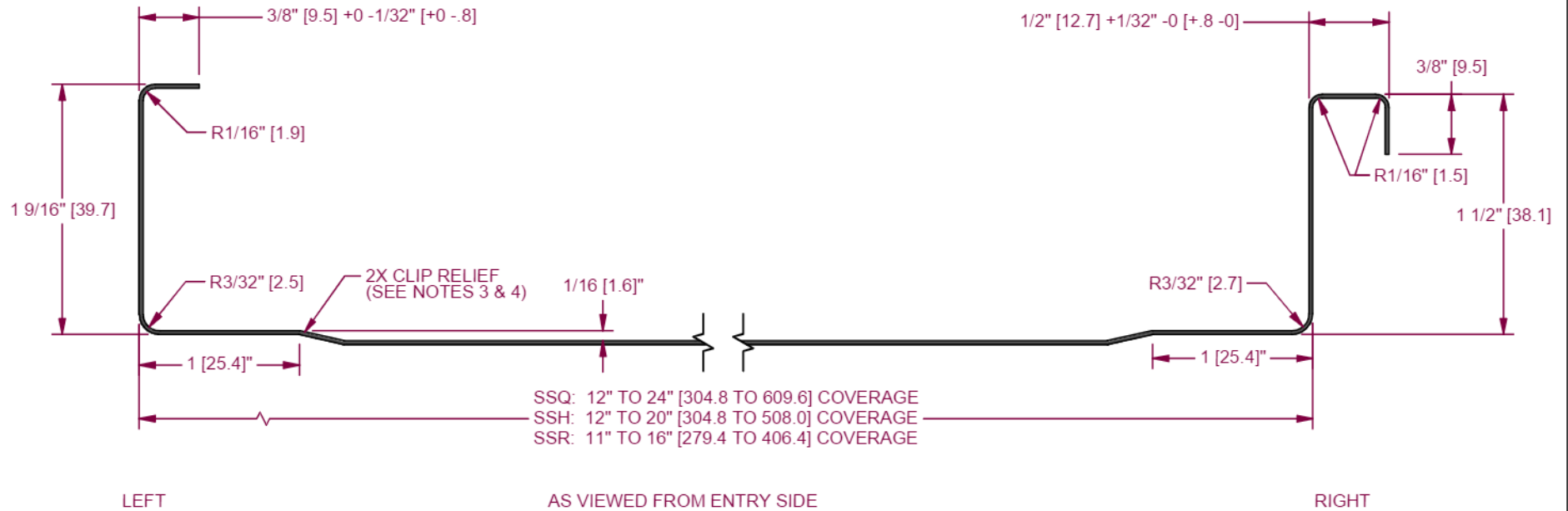
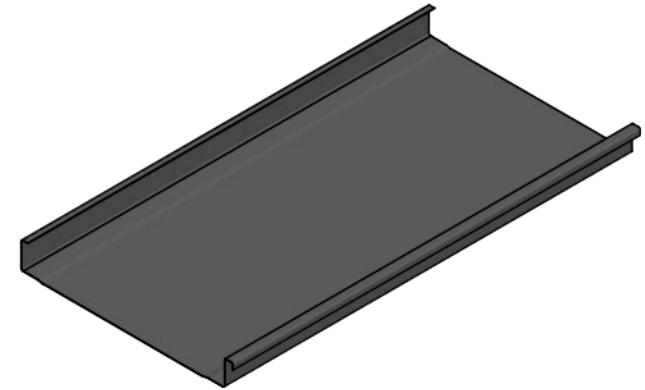



5

ADDED SSH AND SSR PANEL WIDTHS



NOTES:

1. MATERIAL USAGE: APPROX. 4" [101.6] APPROX.
2. CLIP RELIEF ROLLERS ARE STANDARD WITH THIS PANEL.
3. PANEL IS SHOWN WITH CLIP RELIEF ROLLERS ENGAGED.
4. OPTIONAL MINOR BEAD RIB OR STRIATIONS AVAILABLE.
5. DUAL DIMENSIONS: Inch [mm]

MATERIAL: PAINTED STEEL/PAINTED ALUMINUM/COPPER				FINISH: NONE		 NEW TECH MACHINERY CORP.		
REVISION HISTORY	REV	ECR NO.	DATE	RELEASED BY	TOLERANCES			DRAWN BY
	1	ADDED R DIM	07/02/2009	JD	.XX = ± .01	Jim	SS150 PANEL PROFILE	
	2	ADDED TOL.	07/22/2011	JD	.XXX = ± .005	DATE		
	3	LEG WAS 1"	05/02/2012	JD	FRACTION = ± 1/32" ANGLE = ± 1/2'	06/26/2002	PART NUMBER	
	4	R-2190				CHECK BY		SP5-150P
5	R-2368	6/11/2020	AJB	JD		DATE		
						01/17/2008	SHEET	REVISION
							1 OF 1	5